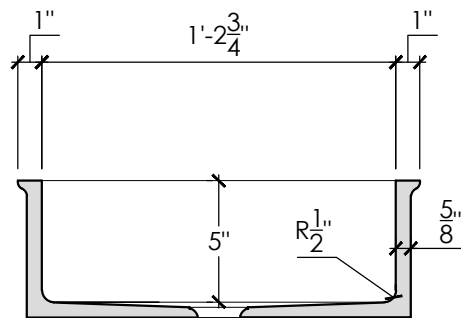


SINK WEIGHT: 12 LBS. 8 OZ.

PLAN VIEW



LONGITUDINAL SECTION

NOTES:

- SINKS COME STANDARD WITHOUT OVERFLOW. OVERFLOW CAN BE ADDED UPON REQUEST.
- ALL PLUMBING HARDWARE PROVIDED BY OTHERS.

DATE: 2017.7.13	DURAT SINK - BLOCK I-A  Sustainable Architectural Materials
DRAWING: PLAN & ELEV	
SCALE: 1-1/2" = 1'-0"	
<small>All dimensions size designations given are subject to verification on job site and adjustment to fit job conditions.</small>	