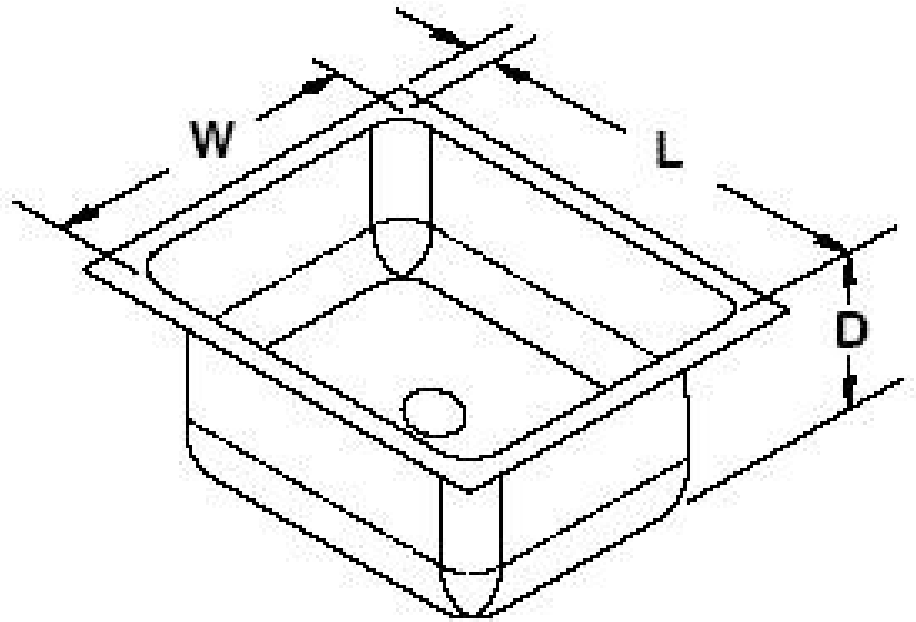
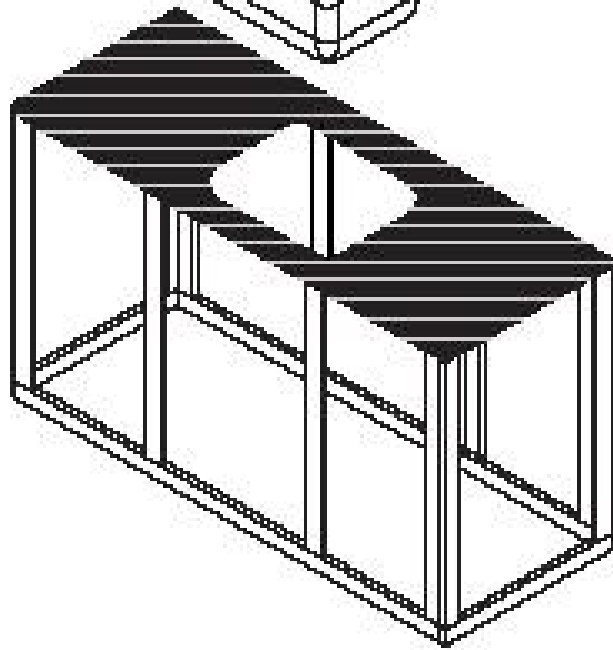
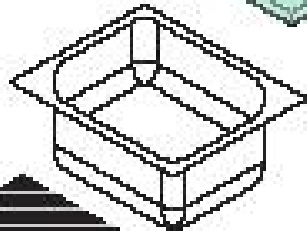
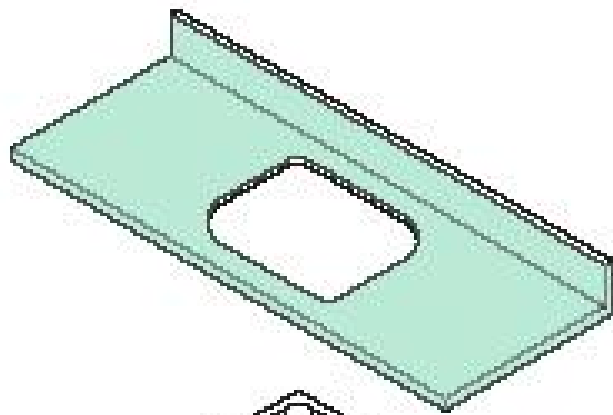


SUGGESTED UNDERMOUNT INSTALLATION



SUGGESTED COUNTER TOP DETAIL

