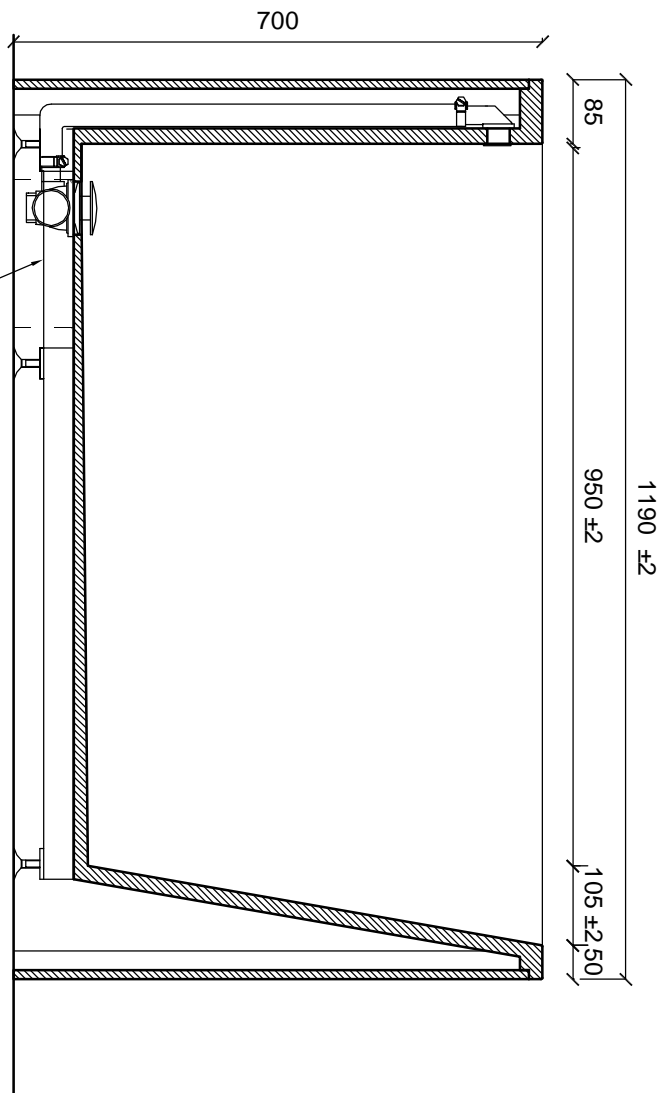
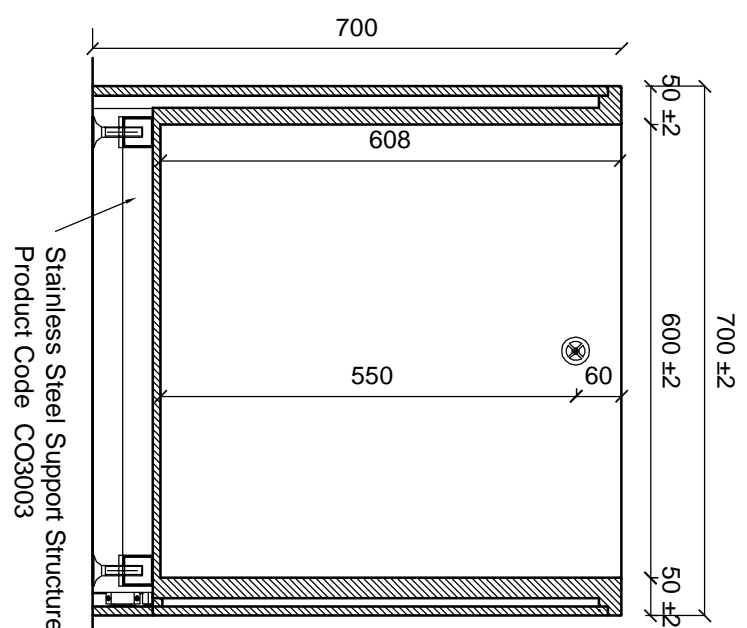
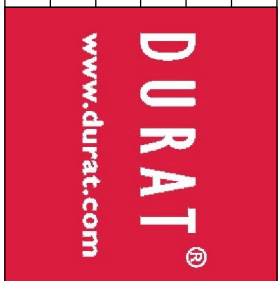


Access panel to the waste in front of the bath
(200x80 mm) attached with magnetic clips.
1190 ±2



PRODUCT NAME XS BATH STANDARD		PRODUCT CODE DC03
PROJECT		
REF	WORKOFFER NUMBER	
SCALE 1:10	DRAWING NUMBER DC03_E	DRAWING DATE 11/12/2007
REVISION	MODIFIED	16/01/2008

Durat, Huhdantie 4, 21140 Rymättylä, Finland
tel: +358 2 2521000 fax: +358 2 2521022, contact@durat.com, www.durat.com



Stainless Steel Support Structure
Product Code CO3003