

H-Baffle | Color 444



H-Baffle | Color 276

	Metric	Standard	Width	Weight	LF/Unit
40" Length	1016mm x 229mm	40 in. x 9 in.	84mm	4.5 lbs	3.3
48" Length	1219mm x 229mm	48 in. x 9 in.	84mm	5 lbs	4
72" Length	1829mm x 229mm	72 in. x 9 in.	84mm	8 lbs	6
96" Length	2438mm x 229mm	96 in. x 9 in.	84mm	10 lbs	8

All specs refer to singular products and not multiples unless specified. Custom options available upon request.

H-Baffle

The EchoPanel® H-Baffle is designed to look great while dispersing and absorbing excessive noise. The H-Baffle can be ceiling hung at any height using cable or rod. Hang EchoPanel H-Baffles in regular rows or random groupings to create wayfinding or other visual design solutions. Custom configurations available.

NRC (SOUND ABSORPTION RATING): ASTM C423-90A

Standard EchoPanel® NRC acoustic data is available for acoustic calculations. Please contact Kirei for this test data.

Fire Rating

ASTM E84 Class C (Class A treatment available.)

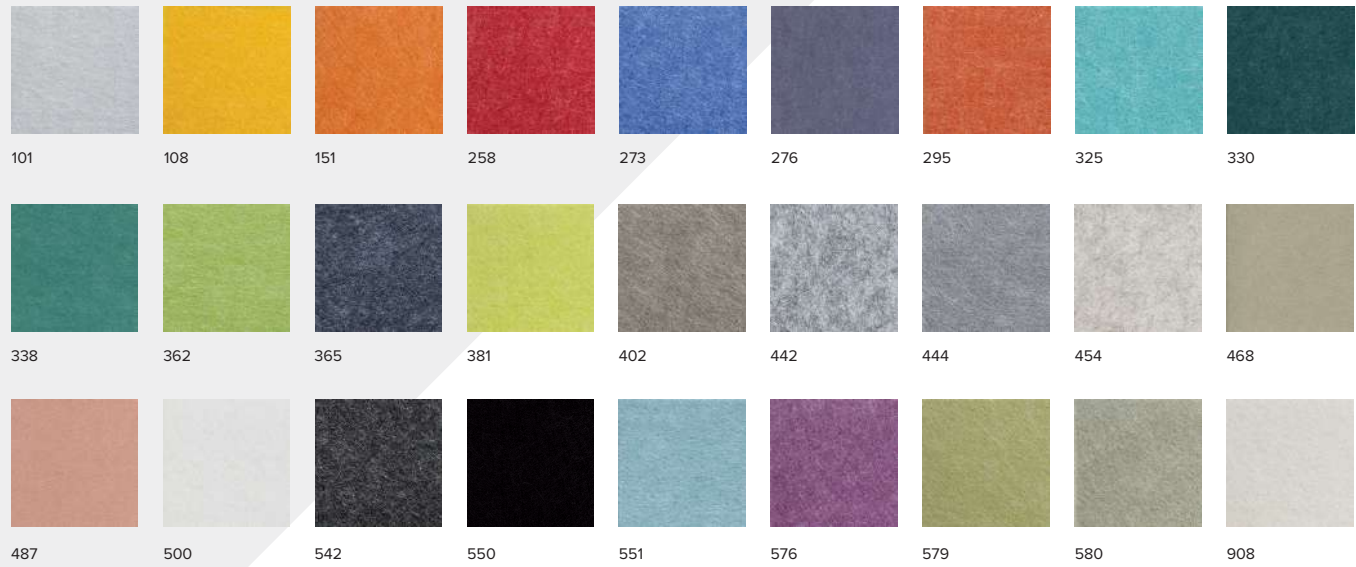
VOC Emissions

CDPH (CA 01350) Compliant; TVOC: <0.5 mg/m3
 Ecospecifier GreenTag Compliant;
 TVOC: 0.015 mg/m2/hr (ASTM D5116)

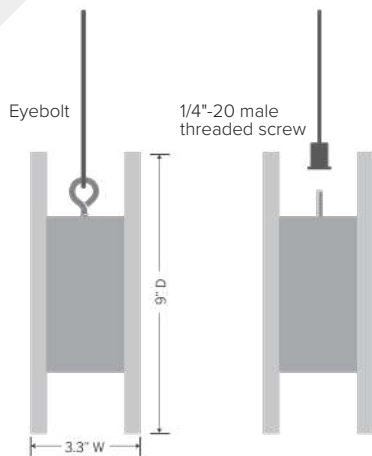


H-Baffle | Color 444

Available Solid Colors



Hardware & Installation



Mounting Hardware Options

Hanging Hardware

H-Baffle comes with either Eyebolt or 1/4"-20 male threaded screw hardware, which is compatible with female 1/4"-20 mounting hardware (sold separately).

To install H-Baffle, attach specified ceiling mounting hardware and suspension cable/chain/rod/etc., with appropriate connector at the bottom end. Note that Kirei does not provide this ceiling mounting hardware or cable rod. Once ceiling hardware is installed, attach the connector to supplied attachment hardware on the H-baffle.

Visit our website to download the H-Baffle Installation Guide for more detailed information.