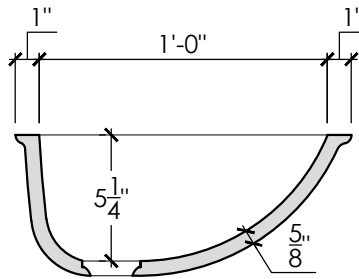
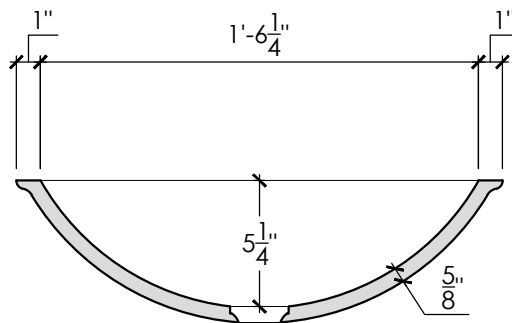


SINK WEIGHT: 10 LBS. 8 OZ.

PLAN VIEW



TRANSVERSE SECTION



LONGITUDINAL SECTION

NOTES:

- SINKS COME STANDARD WITHOUT OVERFLOW. OVERFLOW CAN BE ADDED UPON REQUEST.
- ALL PLUMBING HARDWARE PROVIDED BY OTHERS.

DATE: 2017.7.13

DRAWING: PLAN & ELEV

SCALE: 1-1/2" = 1'-0"

All dimensions size designations given are subject to verification on job site and adjustment to fit job conditions.

DURAT SINK - OVAL II

CaraGreen
Sustainable Architectural Materials