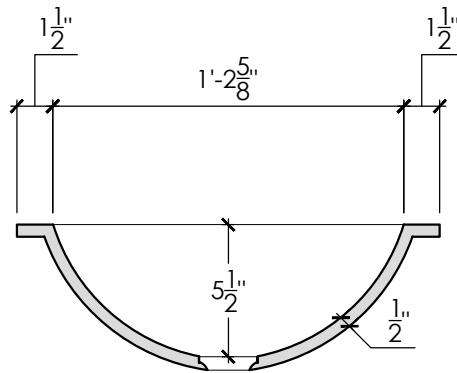


SINK WEIGHT: 11 LBS.

PLAN VIEW



LONGITUDINAL SECTION

NOTES:

- SINKS COME STANDARD WITHOUT OVERFLOW. OVERFLOW CAN BE ADDED UPON REQUEST.
- ALL PLUMBING HARDWARE PROVIDED BY OTHERS.

DATE: 2017.7.13	DURAT SINK - ROUND II
DRAWING: PLAN & ELEV	 Sustainable Architectural Materials
SCALE: 1-1/2" = 1'-0"	
All dimensions size designations given are subject to verification on job site and adjustment to fit job conditions.	