



EchoPanel®

Kirei EchoPanel® Dune/Wave Tile Installation Guide

Specification

- Non-woven Formed PET Wall Tiles
- 1.97" x 19.68" x 19.68" (50mm x 500 mm x 500 mm)
- 9 Tiles / Box

Contents of Box

- 9 Kirei EchoPanel® Dune/Wave Tiles
- 16 clips (4x Clip A, 8x Clip B, 4x Clip C) Appropriate for a 3 Tile x 3 Tile configuration.
- Installation Guide and clip layout template (RHS and LHS)

Please read all instructions before application.

Kirei USA accepts no responsibility for installation actions taken or not taken. This guide contains recommendations and is not intended as an all-encompassing guide; your knowledge as an experienced fabricator needs to be applied.

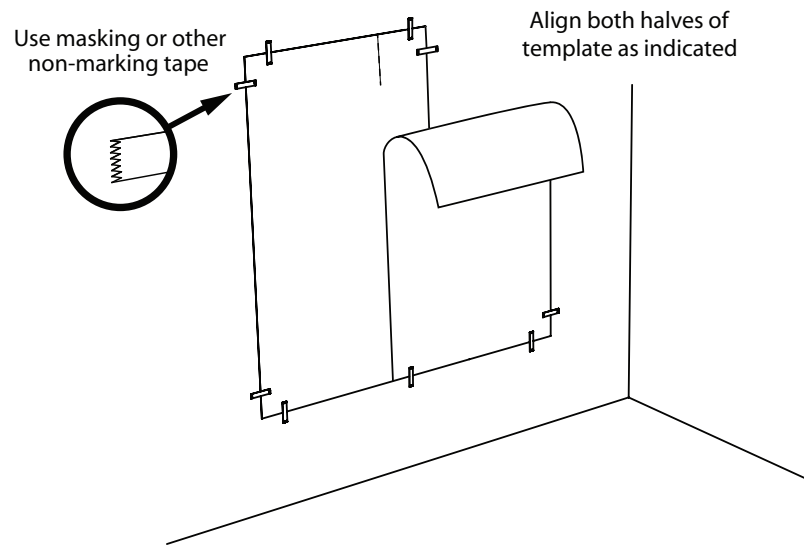
If you have any questions about application or techniques, please visit www.kireiusa.com.

Pre-Installation Requirements

- Please check that all Kirei EchoPanel® Dune/Wave Tiles are the correct color and shape.
- No claims will be accepted after the Kirei EchoPanel® Dune/Wave Tiles have been installed.
- The clips should be tested for wall suitability and type of fixing required.
- All surfaces must be smooth, clean, dry, dust and mold free.

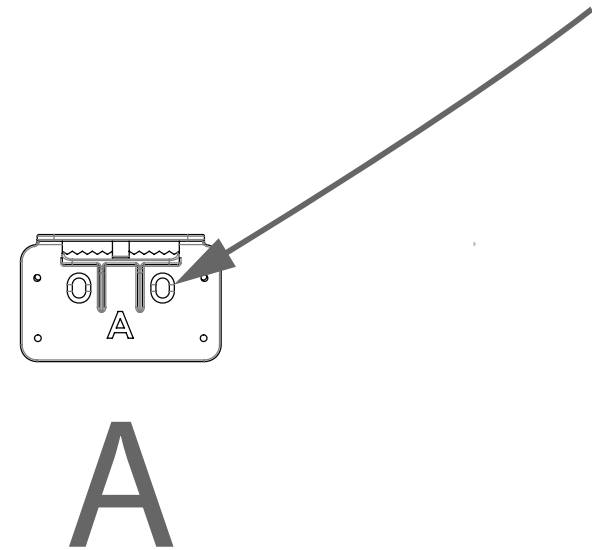
1

Tape LHS and RHS template clip layout to the wall in the desired location, using a level to ensure proper installation.



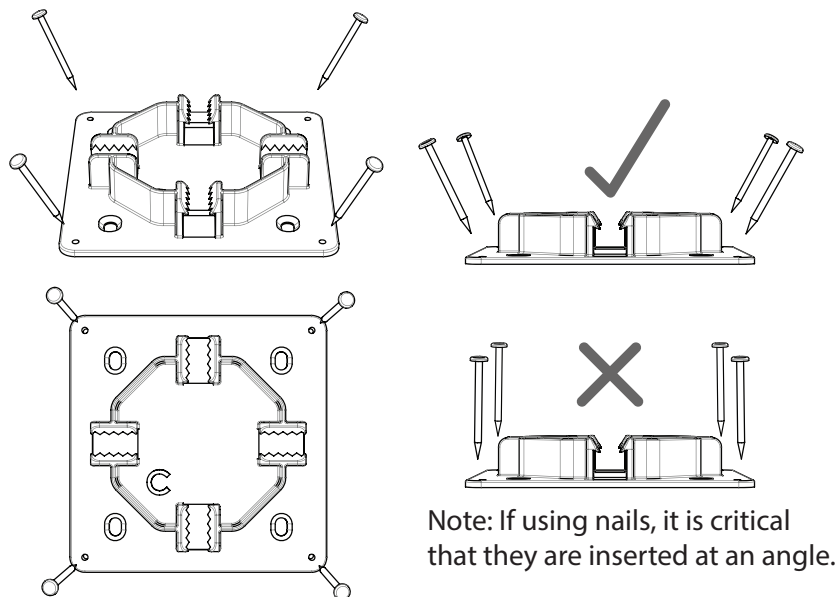
2

Mark hole positions for each clip on the wall using a pen or pencil. Remove the template.



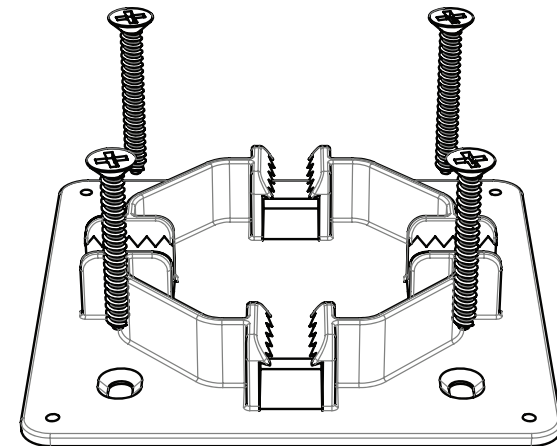
3a

Choose either nailed or screws, depending on wall construction. Line the clips up with the marked holes and fix to the wall. You may want to use double sided tape to temporarily hold the clips while installing them.



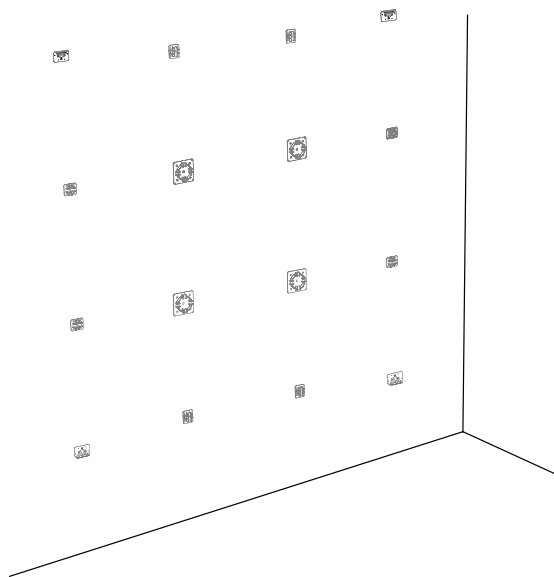
3b

Screws may require additional fixing accessories like wall plugs for masonry.



4

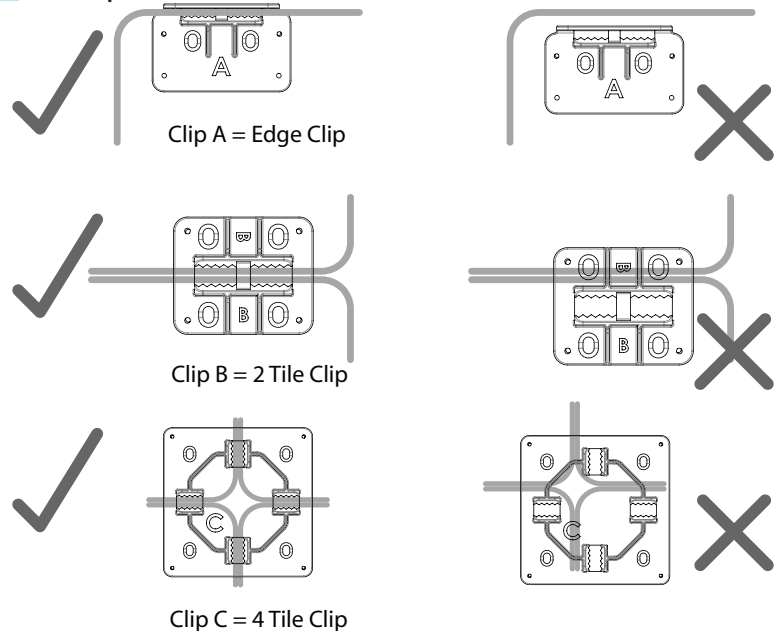
When all the clips are fixed you will have a grid of clips ready to install the tiles.



5

Align Tiles:

Please note: Tiles are difficult to remove once installed. Always align the tiles into the clips before pushing them into position



6

The clips supplies are appropriate for the installation of 9 tiles arranged in a 3 x 3 square pattern.

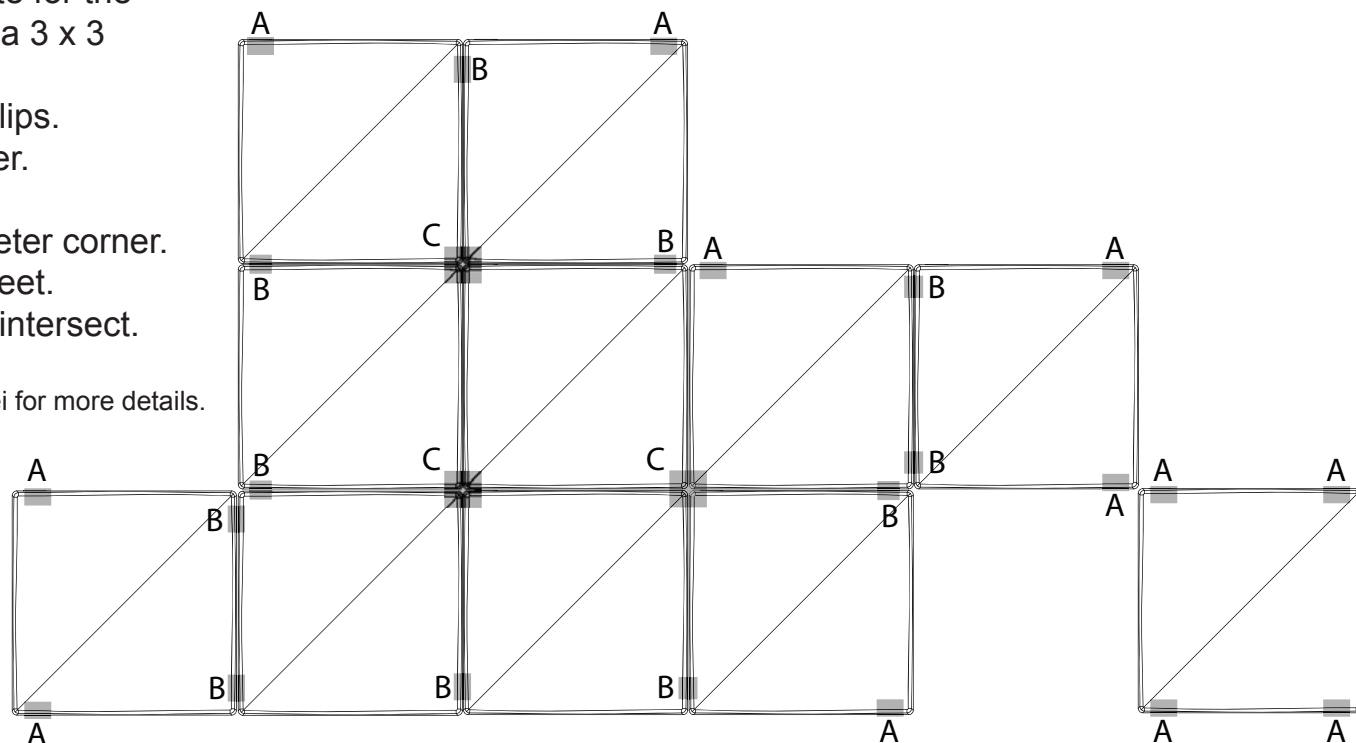
Other layouts will require extra clips. All tiles need a clip at each corner.

Use Edge Clip (A) for any perimeter corner.

Use 2 Tile Clip (B) where tiles meet.

Use 4 Tile Clip (C) where 4 tiles intersect.

Additional clips are available. Contact Kirei for more details.



Ceiling Installations:

Follow all the above installation instructions for wall installation with one additional step:

1. Add a small amount of construction adhesive to the inside of all the clips, where the tiles slide in, to hold the tiles in place on the ceiling.

Cleaning and Care:

Regular Care

- Protect from Direct Sunlight
- Vacuum Regularly using low suction and smooth attachment.

Cleaning

- Professional Cleaning is recommended.
- Do not shampoo clean.

Spot Cleaning

- Treat spills and stains as soon as possible.
- Avoid concentrated rubbing. Use minimal pressure only.
- Gently scrape soil or mop liquid from the surface of the tile.
- Apply proprietary cleaning agents strictly according to instructions.
- Do not saturate the tile or interior with water or other cleaning liquids.
- May be spot cleaned with dry cleaning solvent.

For more information, visit www.kireiusa.com or call 619.236.9924.

Email: Info@kireiusa.com

kireiTM 
EchoPanel[®]