



EchoPanel

Kirei EchoPanel[®]

Rise .45 Tile

Installation Guide

Specification

- Face fabric Non-woven PET Formed Acoustic Wall Tiles
- 300 mm x 450mm (11.81" x 17.72")
- 10 tiles per Box (sold by the box only) 1.35m²

Contents of box

- 10 Rise 0.45 Tiles
- 20 Clips (4 x Clip A, 10 x Clip B, 6 X Clip C) Appropriate for a 5 Tile x 2 Tile configuration
- Installation guide

Please read these instructions before application.

This guide is presented in good faith to help in the installation of Rise .45 Tiles.

Kirei accepts no responsibility for installation actions taken or not taken. This guide contains recommendations and is not intended as an all-encompassing guide, your knowledge as an experienced tradesman needs to be applied.

If you have any questions about application or techniques please call Kirei USA at 619-236-9924.

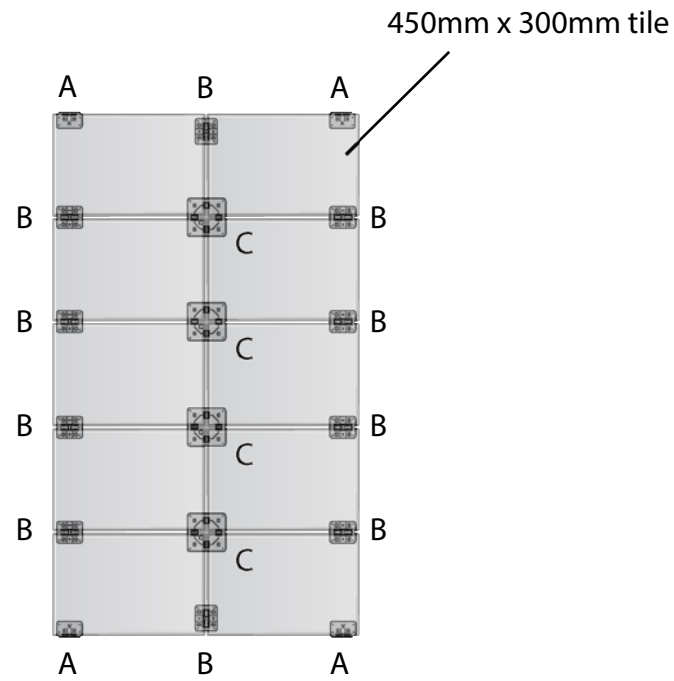
A professional qualified installer is recommended for optimum result.

Pre-Installation Requirements

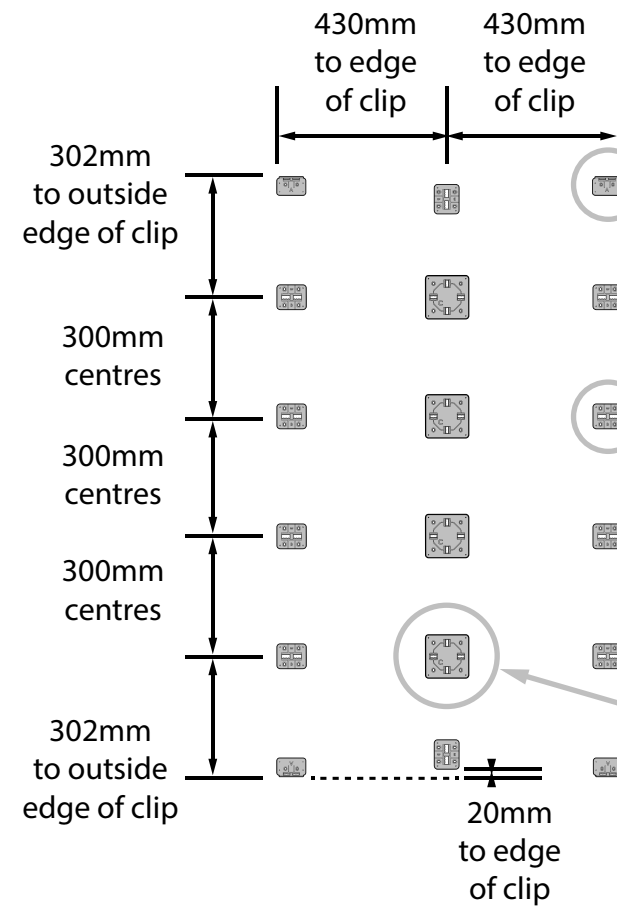
- Please check that all Rise Tiles are the correct colour, shape and same batch number (if requested).
- No claims will be accepted after the Rise Tiles have been installed.
- The clips should be tested for wall suitability and type of fixing required.
- All surfaces must be smooth, clean, dry, dust and mold free.

1

Mark out the desired clip pattern.
 The pattern shown is based on a 450x300 grid.
 Other patterns are possible and will need to be planned based on these instructions.



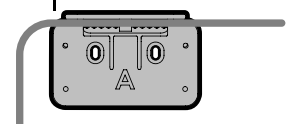
This pattern can also be rotated 90degrees for portrait layout.



Landscape Grid

20mm from edge of tile

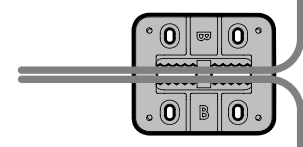
A



Clip A = Edge Clip

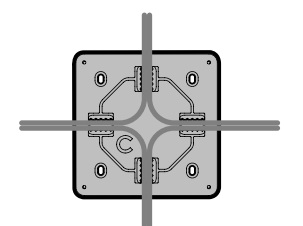
20mm from edge of tile

B



Clip B = 2 Tile Clip

C



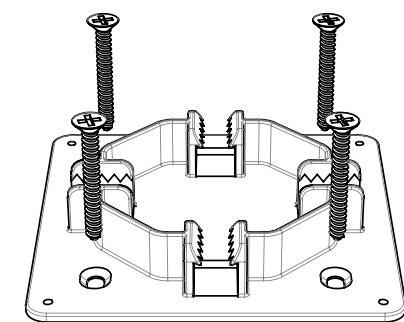
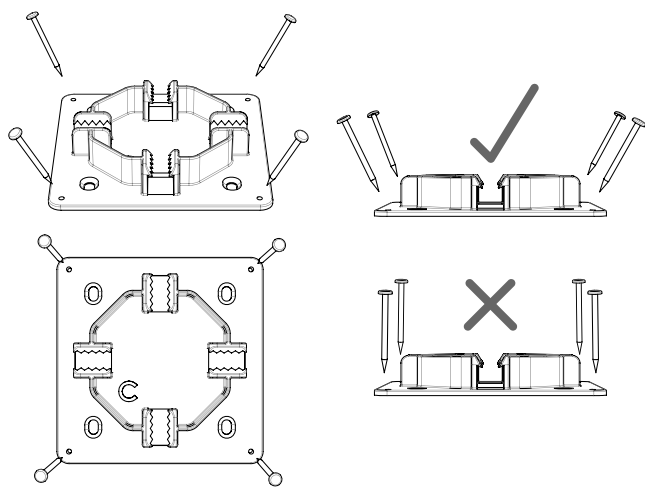
Clip C = 4 Tile Clip

2

Choose either nails or screws to suit wall construction.

You may want to use double sided tape to temporarily hold the clips while installing them.

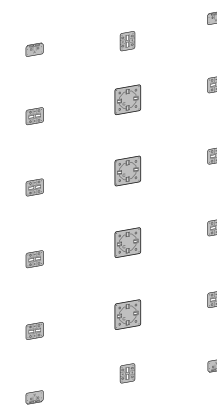
If using nails it is critical that they are inserted at an angle.



Screws may require additional fixing accessories like wall plugs for masonry.

3

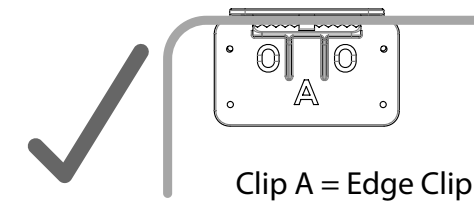
When all the clips are fixed you will have a grid of clips ready to install the tiles.



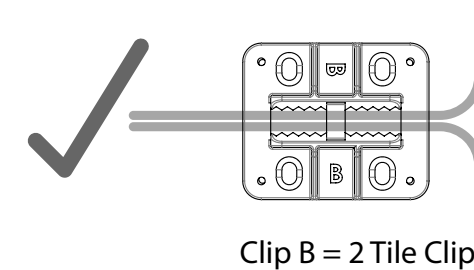
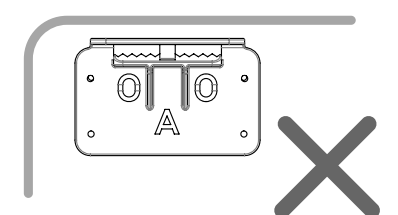
4

Align tiles:

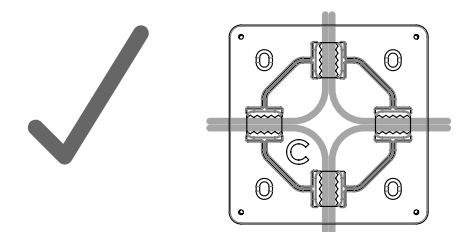
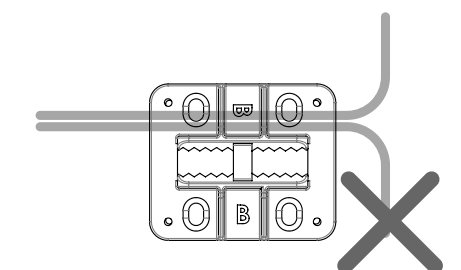
Please note: Tiles are difficult to remove once installed.
 Align tiles in clips before pushing them into position.



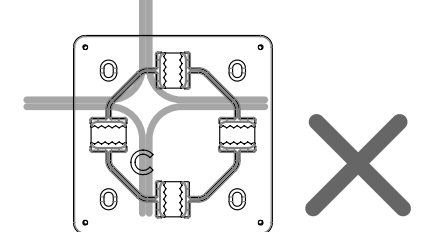
Clip A = Edge Clip

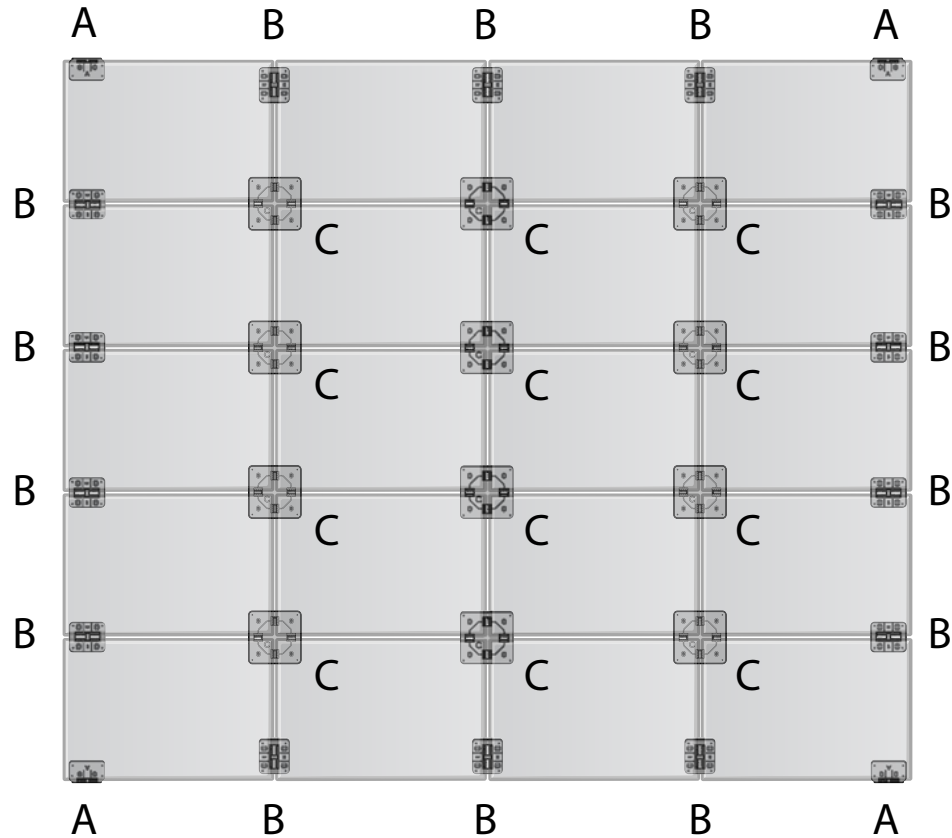


Clip B = 2 Tile Clip



Clip C = 4 Tile Clip





The clips supplied are appropriate for the installation of 10 tiles arranged in a 5 x 2 grid
 The arrangement above can be achieved with 2 boxes (20 tiles).
 Other layouts will require extra clips.

All tiles need a clip at each corner. Large tiles need 6 clips, small tiles need 4.

Use Edge Clip (A) for any perimeter corner (as shown)

Use 2 Tile Clip (B) where tiles meet (as shown)

Use 4 Tile Clip (C) where 4 tiles intersect (as shown)

Additional clips are available in packs of 10 of A, B or C and 20 or 30 mixed clips.

Please contact Kirei to order extra clips.

Any unused clips can be returned to Kirei for recycling

Cleaning & Care

Regular Care

- Protect from direct sunlight
- Vacuum regularly using low suction and smooth attachment

Cleaning

- Professional cleaning recommended
- Do not shampoo clean

Spot Cleaning

- Treat spills and stains as soon as possible
- Avoid concentrated rubbing. Use minimal pressure only.
- Gently scrape soil or mop liquid from the surface of the tile
- Apply proprietary cleaning agents strictly according to instructions
- Do not saturate the tile or interior with water or other cleaning liquids
- May be spot cleaned with dry cleaning solvent

For more information visit www.kireiusa.com